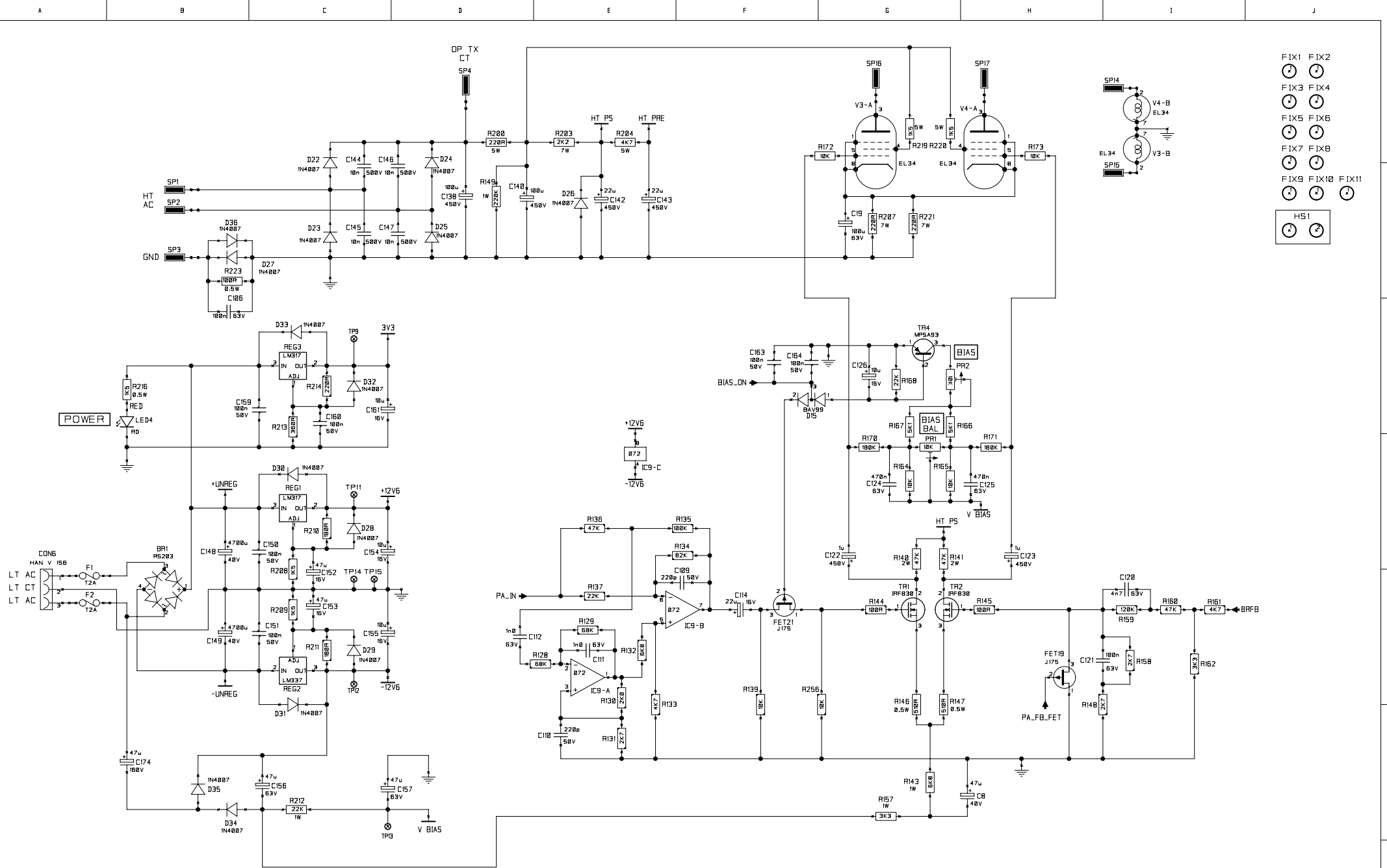


**Blackstar
AMPLIFICATION**

COPYRIGHT EXISTS ON THIS DOCUMENT. IT MUST NOT BE USED FOR ANY PURPOSE OTHER THAN THAT FOR WHICH IT WAS SUPPLIED AND MUST NOT BE COPIED IN WHOLE OR PART WITHOUT WRITTEN PERMISSION OF BLACKSTAR AMPLIFICATION

DWG No.	ISS:	SHT. 1	TITLE
	3A	OF 4	MAIN PCB
DRAWN BY	DATE		INPUT STAGES
CLIFF BROWN	28-01-10		
CHECKED BY	DATE		MODEL COLNE 20
			HT STUDIO 20
APPROVED BY	DATE		

XX	CN1234	01-01-01	0XA
ISSUE	ECO No.	DATE	INITIAL

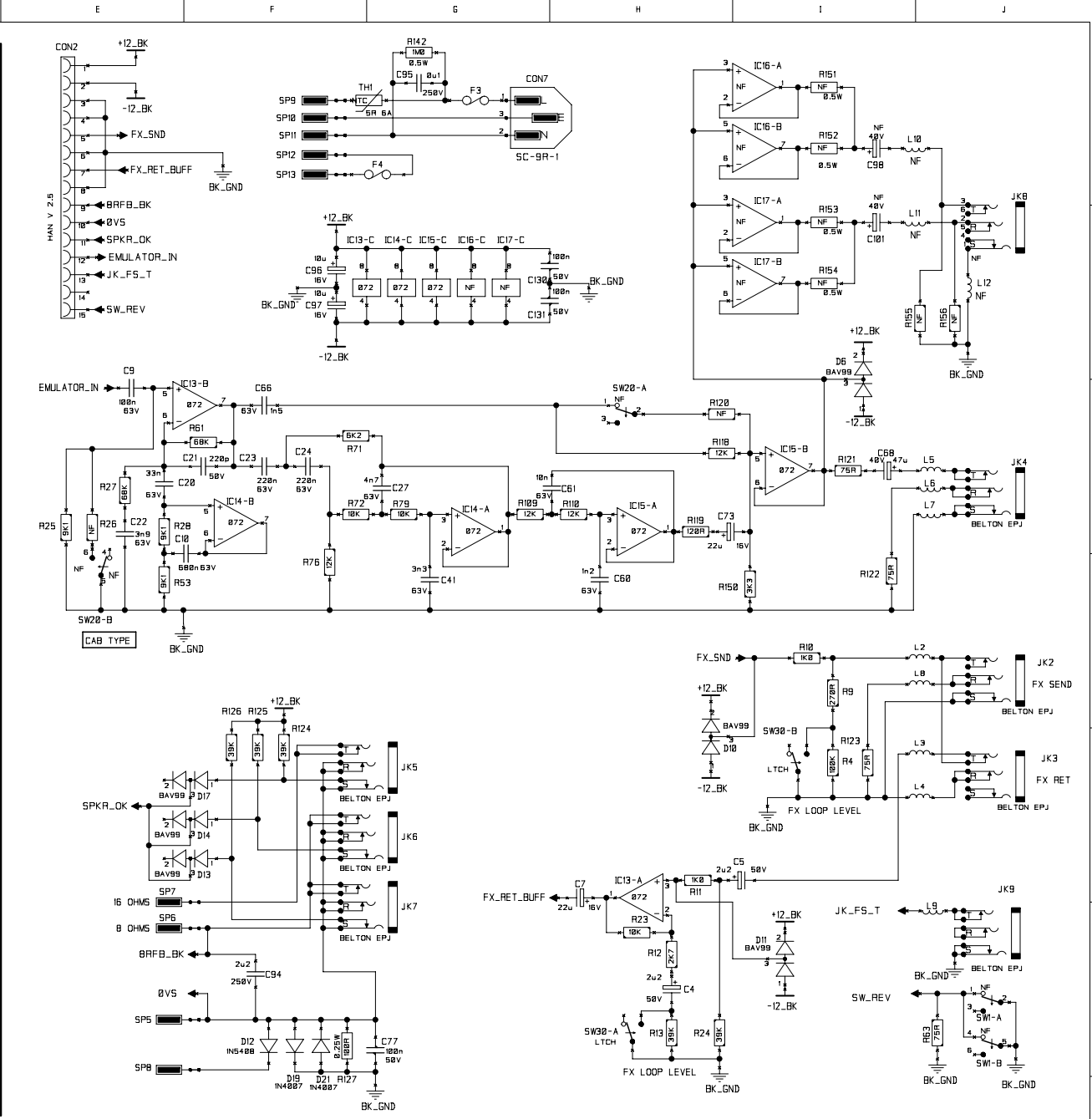
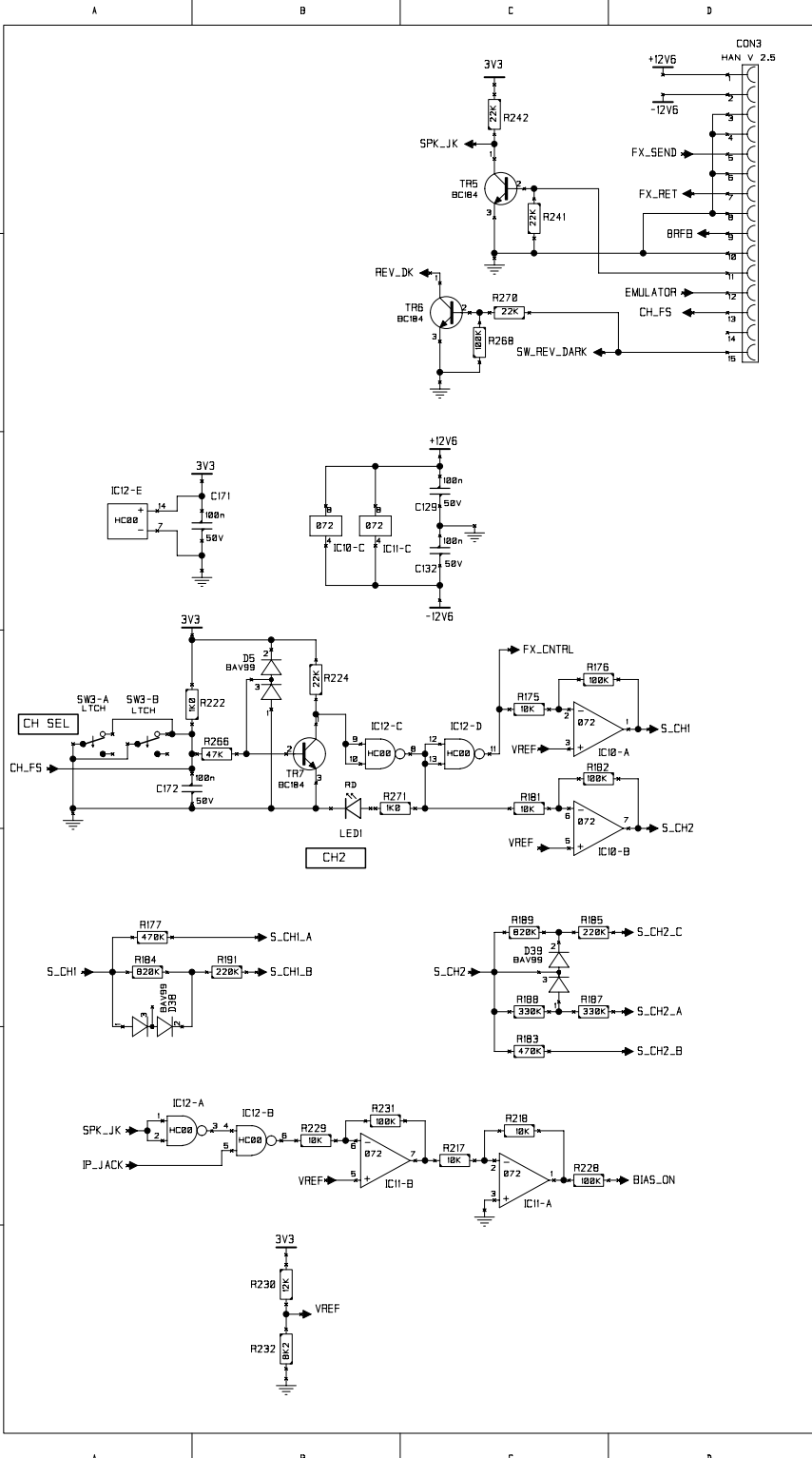


Blackstar AMPLIFICATION

COPYRIGHT EXISTS ON THIS DOCUMENT. IT MUST NOT BE USED FOR ANY PURPOSE OTHER THAN THAT FOR WHICH IT WAS SUPPLIED AND MUST NOT BE COPIED IN WHOLE OR PART WITHOUT WRITTEN PERMISSION OF BLACKSTAR AMPLIFICATION

XX	CN1234	01-01-01	0XA
ISSUE	ECO No.	DATE	INITIAL

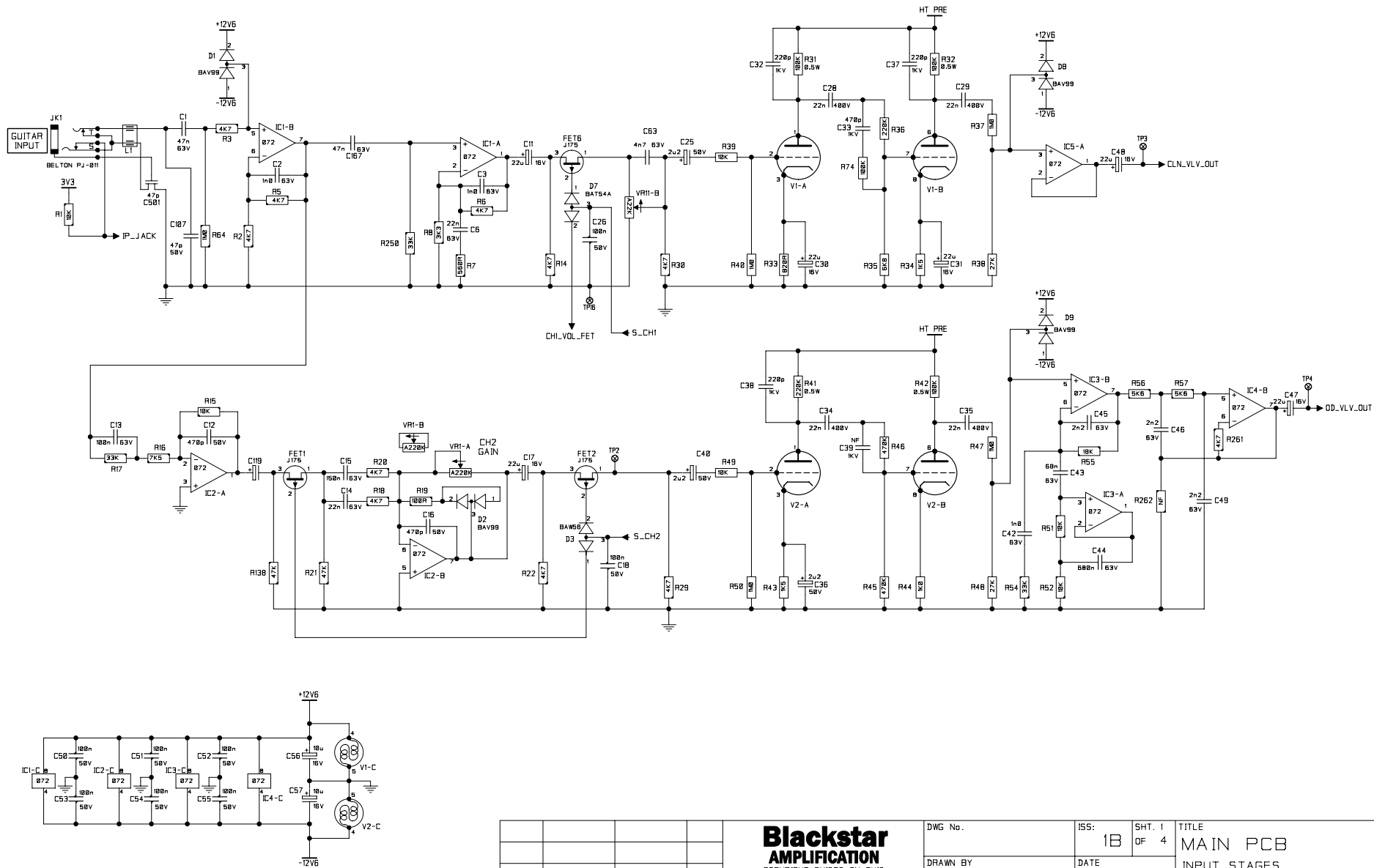
DWG No.	ISS: 3A	SHT. 3 OF 4	TITLE MAIN PCB PSU & PHASE SPLITTER
DRAWN BY CLIFF BROWN	DATE 28-01-10	MODEL COLNE 20 HT STUDIO 20	
CHECKED BY	DATE		
APPROVED BY	DATE		



XX	CN1234	01-01-01	0XA
ISSUE	ECO No.	DATE	INITIAL

Blackstar
AMPLIFICATION
 COPYRIGHT EXISTS ON THIS DOCUMENT. IT MUST NOT BE USED FOR ANY PURPOSE OTHER THAN THAT FOR WHICH IT WAS SUPPLIED AND MUST NOT BE COPIED IN WHOLE OR PART WITHOUT WRITTEN PERMISSION OF BLACKSTAR AMPLIFICATION

DWG No.	ISS:	SHT. 4	TITLE
CLIFF BROWN	3A	OF 4	MAIN PCB
CHECKED BY	DATE	DATE	PIC, SWITCHING & FET DRIVE
APPROVED BY	DATE	DATE	MODEL COLNE 20
			HT STUDIO 20

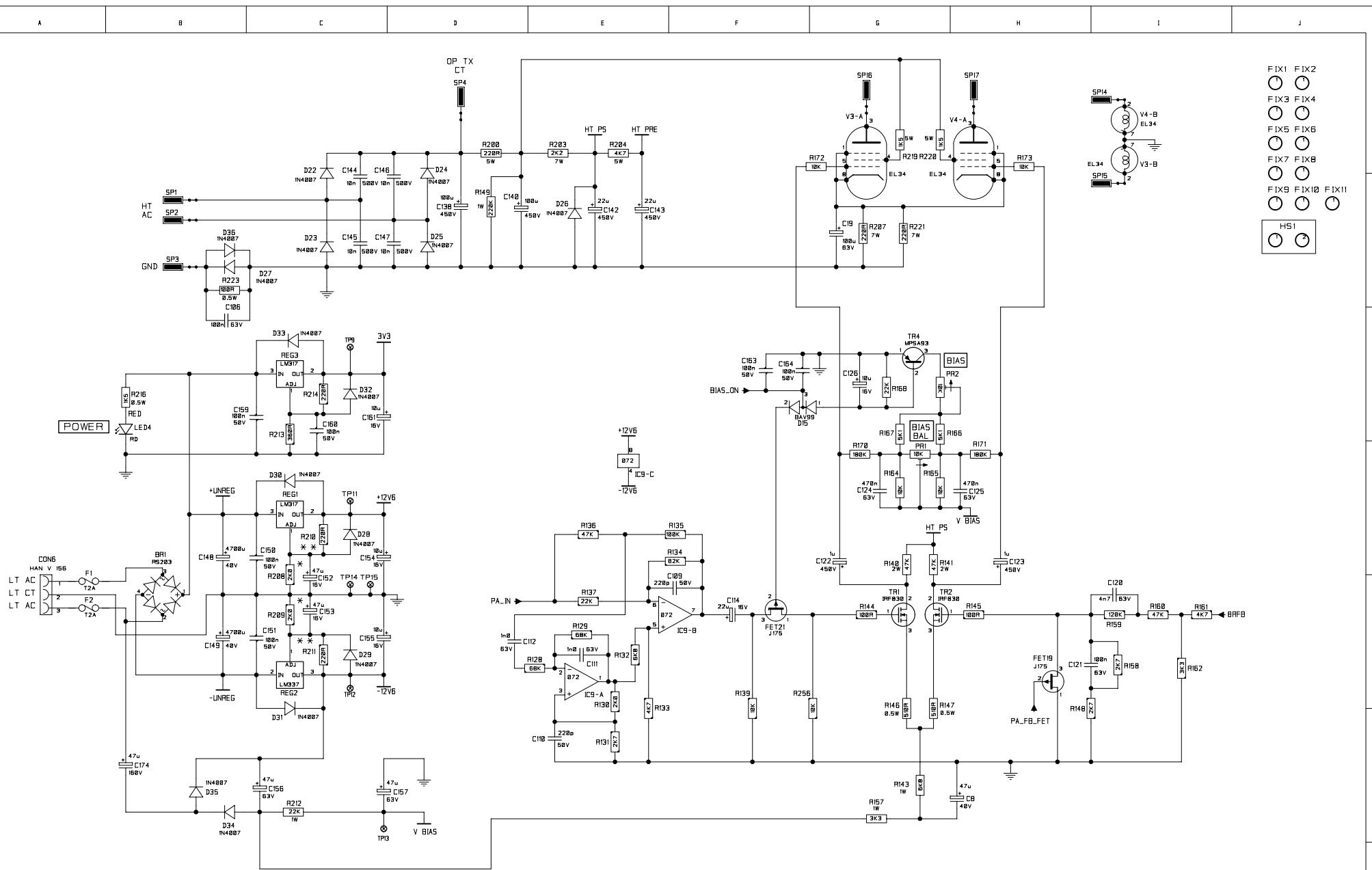


Blackstar AMPLIFICATION

COPYRIGHT EXISTS ON THIS DOCUMENT. IT MUST NOT BE USED FOR ANY PURPOSE OTHER THAN THAT FOR WHICH IT WAS SUPPLIED AND MUST NOT BE COPIED IN WHOLE OR PART WITHOUT WRITTEN PERMISSION OF BLACKSTAR AMPLIFICATION

XX	CN1234	01-01-01	0XA
ISSUE	ECO No.	DATE	INITIAL

DWG No.	ISS.	SHT. 1	TITLE
	1B	OF 4	MAIN PCB
DRAWN BY	DATE		INPUT STAGES
CHECKED BY	DATE		MODEL
APPROVED BY	DATE		HT STUDIO 20



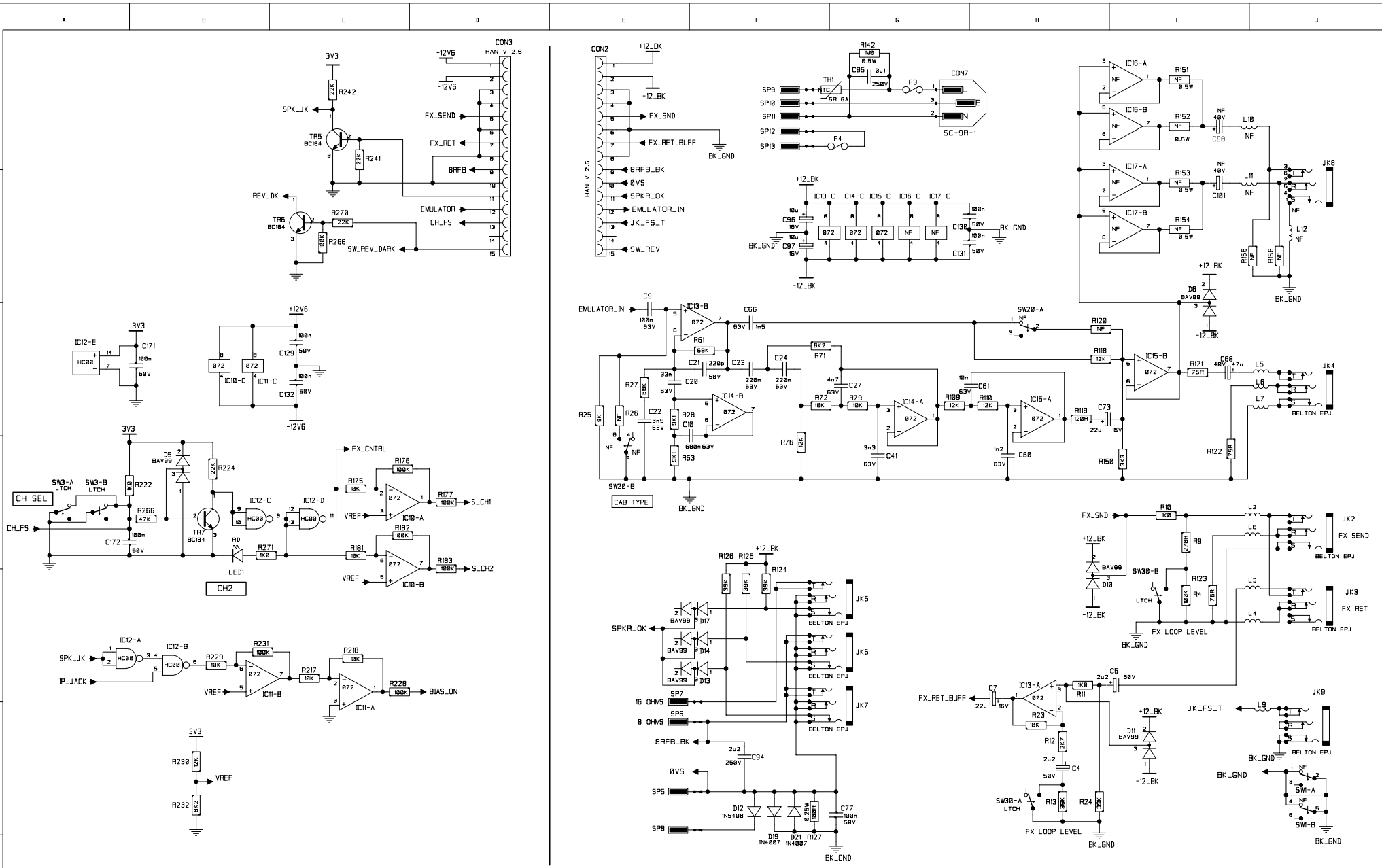
- FIX1
- FIX2
- FIX3
- FIX4
- FIX5
- FIX6
- FIX7
- FIX8
- FIX9
- FIX10
- FIX11
- HS1

*R208 & 209 CHANGED TO 1K8 ON EARLY AUSTRALIAN UNITS
 ** R208 & 209 CHANGED TO 1K5.
 R210 & R211 CHANGE TO 180R ON LATER UNITS

XX	CN1234	01-01-01	0XA
ISSUE	ECO No.	DATE	INITIAL

Blackstar
AMPLIFICATION
 COPYRIGHT EXISTS ON THIS DOCUMENT. IT MUST NOT BE USED FOR ANY PURPOSE OTHER THAN THAT FOR WHICH IT WAS SUPPLIED AND MUST NOT BE COPIED IN WHOLE OR PART WITHOUT WRITTEN PERMISSION OF BLACKSTAR AMPLIFICATION

DWG No.	ISS.	SHT. 3	TITLE
	1B	OF 4	MAIN PCB
DRAWN BY	DATE		PSU & PHASE SPLITTER
CLIFF BROWN	10-12-09		
CHECKED BY	DATE		MODEL
			HT STUDIO 20
APPROVED BY	DATE		



Blackstar
AMPLIFICATION

COPYRIGHT EXISTS ON THIS DOCUMENT. IT MUST NOT BE USED FOR ANY PURPOSE OTHER THAN THAT FOR WHICH IT WAS SUPPLIED AND MUST NOT BE COPIED IN WHOLE OR PART WITHOUT WRITTEN PERMISSION OF BLACKSTAR AMPLIFICATION

						DWG No.	ISS.	SHT. 4	TITLE
							1B	OF 4	MAIN PCB
						DRAWN BY	DATE		SWITCHING &
						CHECKED BY	DATE		FET DRIVE
						APPROVED BY	DATE		MODEL
									HT STUDIO 20

XX	CN1234	01-01-01	0XA
ISSUE	ECO No.	DATE	INITIAL